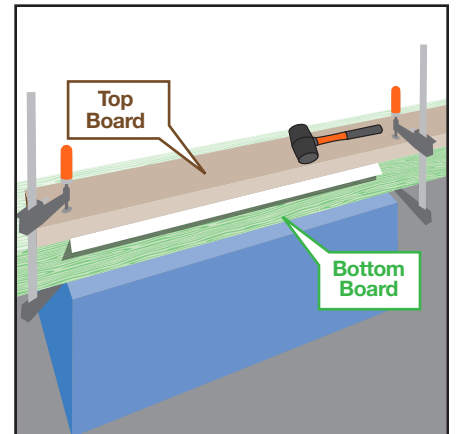
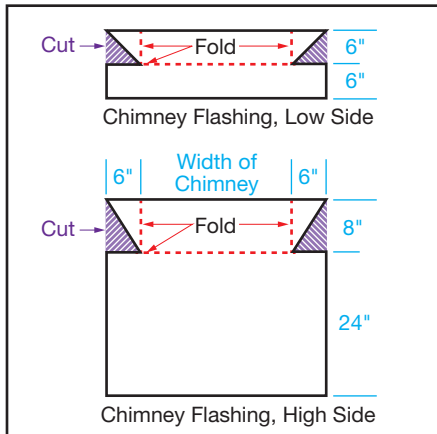


Roll flashing is used for custom flashing and do-it-yourself projects. Roll flashing adds a professional customized look to any dormer or flashing piece. Available in a variety of widths and lengths, in aluminum, steel and copper.



MEASURE

Carefully measure and mark where flashing is to be cut and bent. Lightly scribe the **fold lines** with a utility knife or marking gauge.

CUT

Roll flashing can heavily scribed, using a straight edge and utility knife, then bent until it snaps; or it can be easily cut with "tin snips". **Caution: The edges are extremely sharp!**

BEND

Make crisp bends with a professional brake, or clamp the flashing material between two straight edged wooden blocks. Refine the edges with a rubber mallet.

