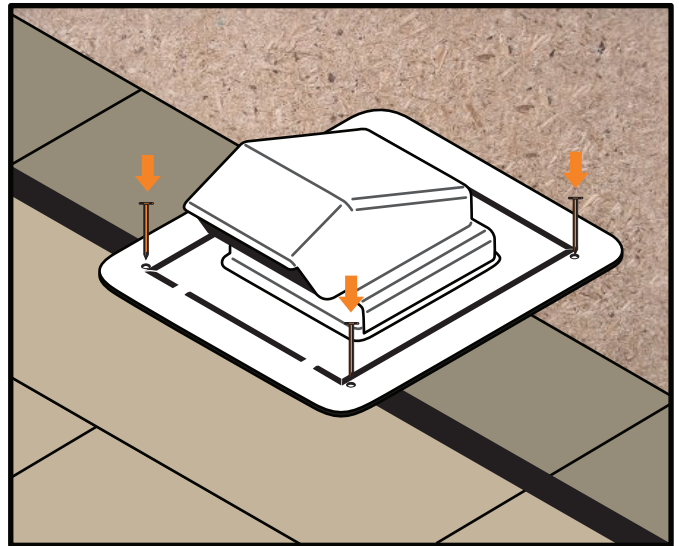
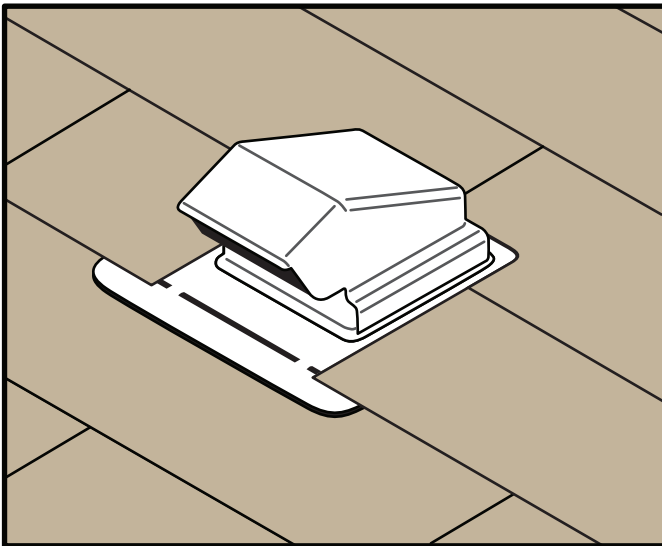


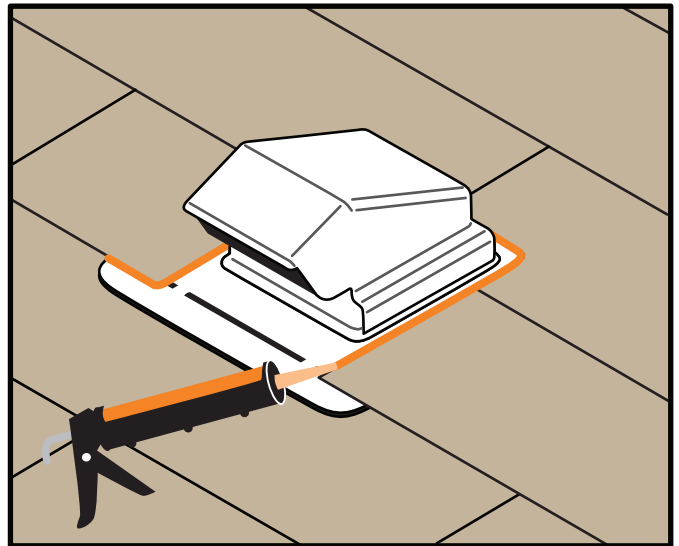
1. Carefully lift shingles above the vent hole.



2. Secure vent with four galvanized roofing nails through provided holes in vent flange.



3. Cover as much of the vent flange as possible with shingles. When nailing the roofing material near the vent **do not let fasteners penetrate the vent flange.**



4. Overlapping shingles can be sealed to vent base using an elastomeric sealant.
Do not use asphalt based roof cements.

Note: Due to the integrated screen in this vent, it is not approved for use as a dryer vent.



CAUTION! Working above grade is inherently dangerous, be sure that proper fall protection measures are in place. When working with power tools, gloves and eye protection are absolutely required.