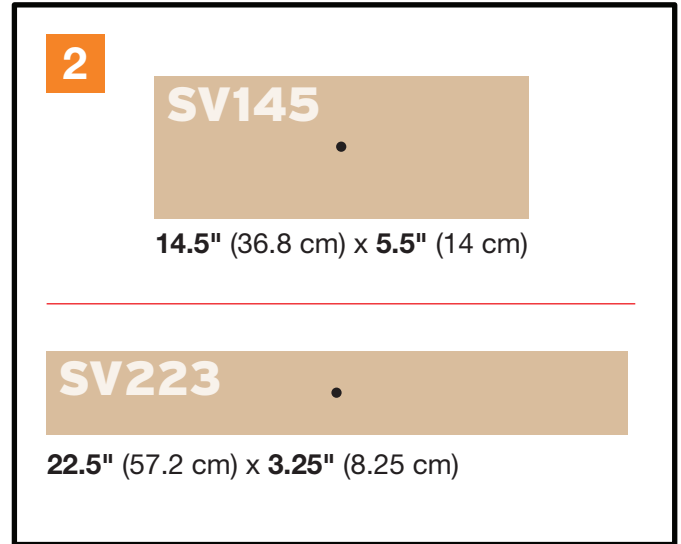
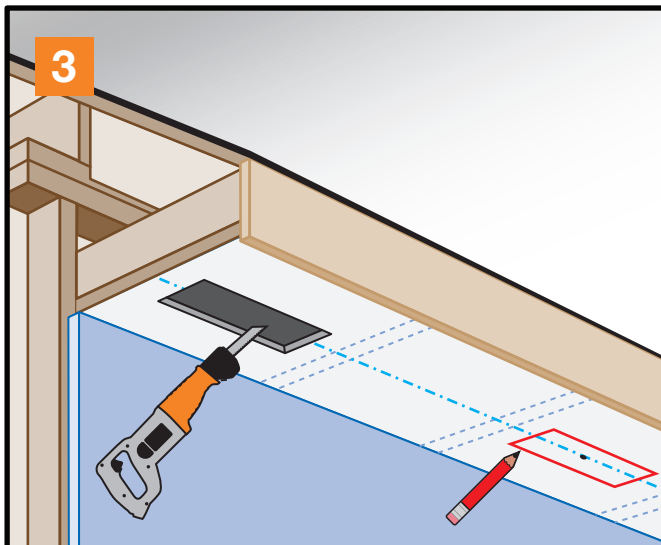


1. From inside the attic locate the area between the soffit joists where you will be installing the soffit vents. Find the center and then drill a hole to mark it.

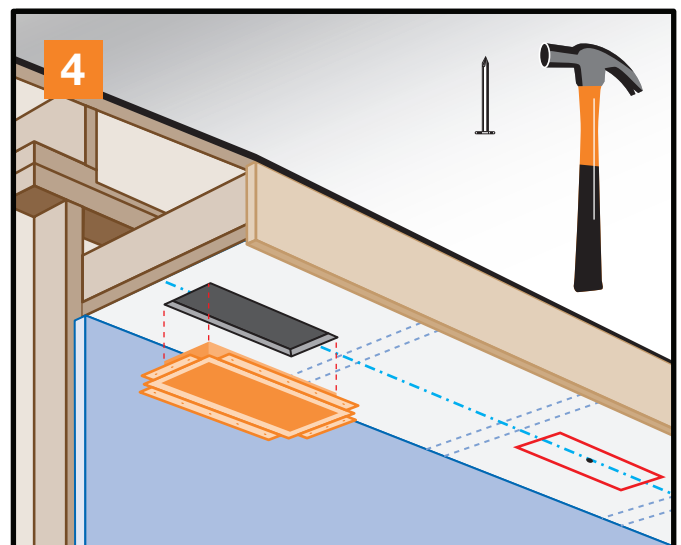


2. Make a cardboard template of the soffit vent **rough opening**. Cut a hole in the center.

- 14.5" x 5.5" for SV145
- 22.5" x 3.25" for SV223.



3. On the outside of your home, snap a chalkline to indicate the center of the soffit area. Center the template over each hole that you made in Step 1. Trace around the template. Cut out the template outline with a jigsaw or reciprocating saw.



4. Install the vent by inserting it into the opening. Nail into place with galvanized nails.

Gibraltar Soffit Vents are **reversible** for new stucco/plaster construction or for surface mount (wood siding soffits).



**CAUTION!** Working above grade is inherently dangerous, be sure that proper fall protection measures are in place. When working with power tools, gloves and eye protection are absolutely required.