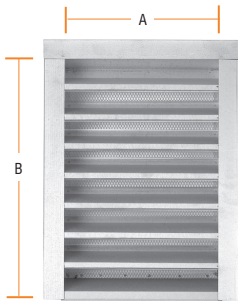
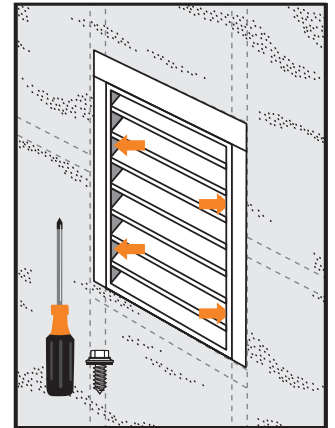
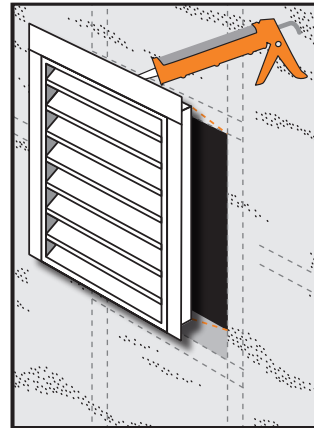
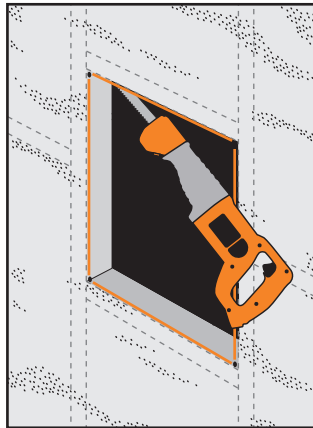
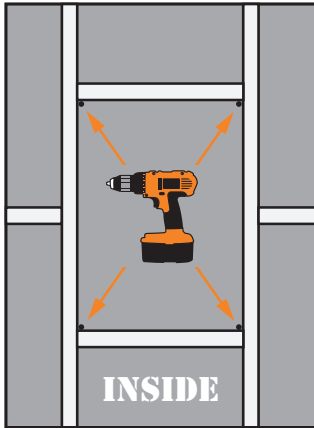


### Flange Front Gable Louver - used for existing walls



- 1) Frame opening 1/4" larger than vent body size and drill pilot holes in corners from inside of wall.
- 2) Mark straight lines between pilot holes and cut rough opening from exterior wall
- 3) Apply sealant around inside of flange
- 4) Insert vent into opening and secure with screws (2 ea. side). For a cleaner finish, fasten screw through sides between blades.

**Note:** Flange Front Gable Louvers have 1/4 inch mesh

Size A x B	N.F.V.	Rough Opening	Pack QTY.
12 in. x 12 in.	63 Sq. In.	12.25 in. x 12.25 in.	10
12 in. x 14 in.	65 Sq. In.	12.25 in. x 14.25 in.	10
12 in. x 18 in.	93 Sq. In.	12.25 in. x 18.25 in.	10
12 in. x 24 in.	118 Sq. In.	12.25 in. x 24.25 in.	10
14 in. x 12 in.	65 Sq. In.	14.25 in. x 12.25 in.	10
14 in. x 18 in.	110 Sq. In.	14.25 in. x 18.25 in.	10
14 in. x 24 in.	147 Sq. In.	14.25 in. x 24.25 in.	10
14 in. x 30 in.	185 Sq. In.	14.25 in. x 30.25 in.	2
18 in. x 18 in.	133 Sq. In.	18.25 in. x 18.25 in.	2
18 in. x 24 in.	190 Sq. In.	18.25 in. x 24.25 in.	5
18 in. x 30 in.	221 Sq. In.	18.25 in. x 30.25 in.	2
20 in. x 24 in.	197 Sq. In.	20.25 in. x 24.25 in.	2
24 in. x 18 in.	190 Sq. In.	24.25 in. x 18.25 in.	5
24 in. x 24 in.	253 Sq. In.	24.25 in. x 24.25 in.	5
24 in. x 30 in.	317 Sq. In.	24.25 in. x 30.25 in.	5
36 in. x 18 in.	266 Sq. In.	36.25 in. x 18.25 in.	2



**CAUTION!**  
 Working above grade is inherently dangerous, be sure that proper fall protection measures are in place. When working with power tools, gloves and eye protection are absolutely required.

These installation guidelines are for use with typical or standard applications. It is always recommended to seek advice from a licensed professional, and to check with your local building inspector or building permit office for approvals and possible variations that may apply.