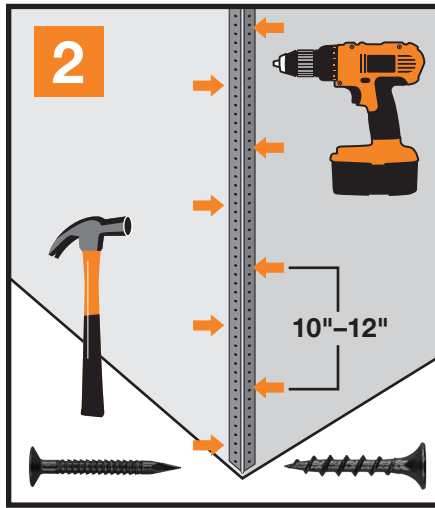


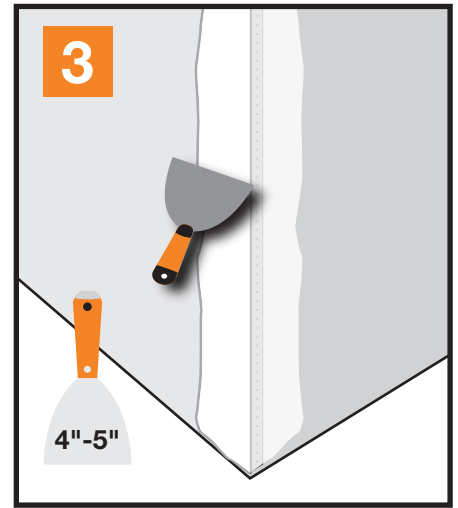
### Measure & Cut

Measure 1/2 inch shorter than the floor to ceiling distance. Make two cuts toward the centerline, using tin snips. Use one continuous length, do not splice.



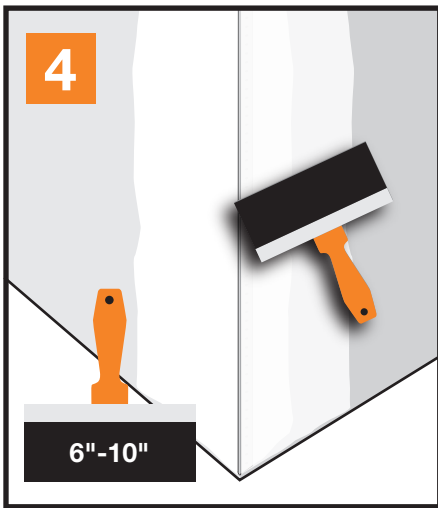
### Center & Affix

Hold corner bead firmly in place and affix with drywall nails or screws, every 10 to 12 inches. Slightly dimple each fastener.



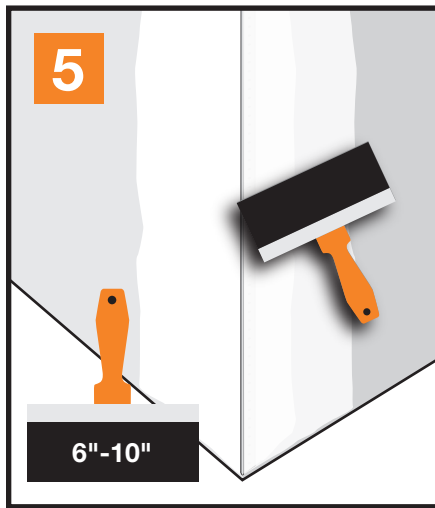
### First Mud

Using a 4"- 6" drywall knife, apply a generous coat of drywall joint compound to each side. Feather the compound 4" - 5" from the corner. Allow to dry.



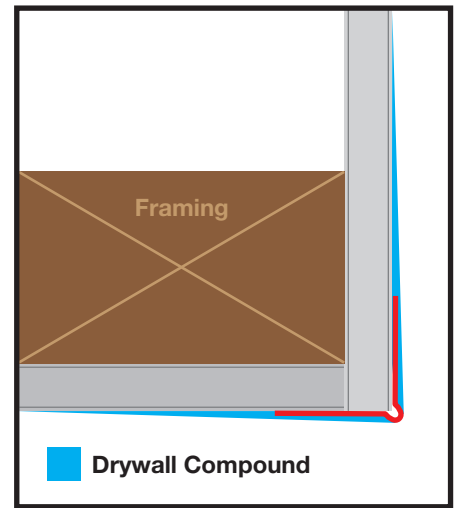
### Second Mud

Using a 6"- 10" drywall tapping knife, apply a thinner coat of drywall joint compound to each side. Feather the compound 8" - 10" from the corner. Allow to dry.



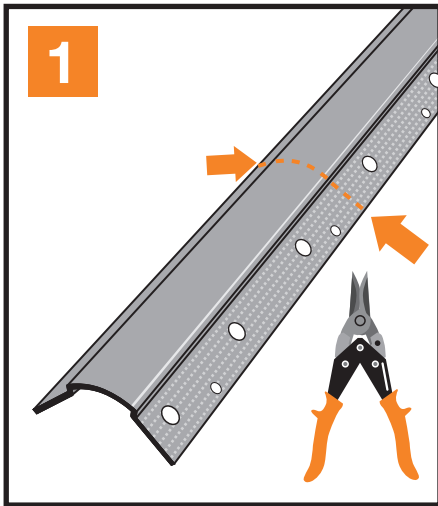
### Skim Coat

Apply a thinner third coat of drywall joint compound to each side, feathered 10" - 12". Allow to dry.



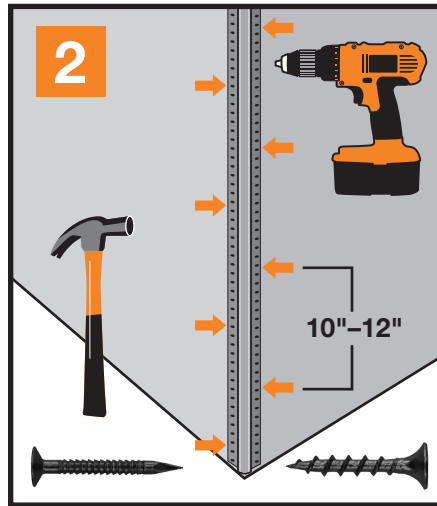
### Top View

Overlapping drywall sheets form the corner. The feathering of the drywall joint compound smoothly covers the nails & corner bead.



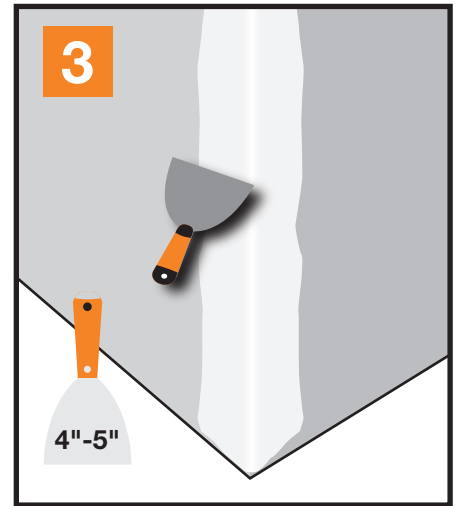
**Measure & Cut**

Measure 1/2 inch shorter than the floor to ceiling distance. Make two cuts toward the centerline, using tin snips. Use one continuous length, do not splice.



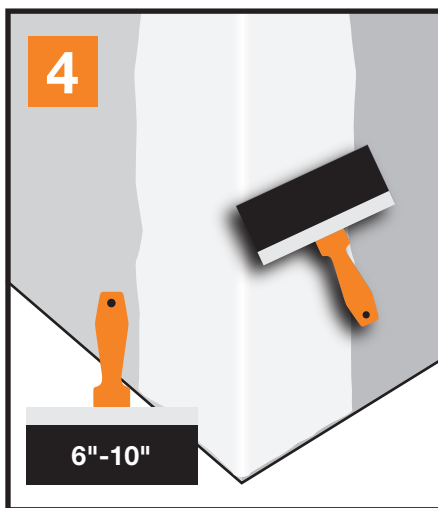
**Center & Affix**

Hold corner bead firmly in place and affix with drywall nails or screws, every 10 to 12 inches. Slightly dimple each fastener.



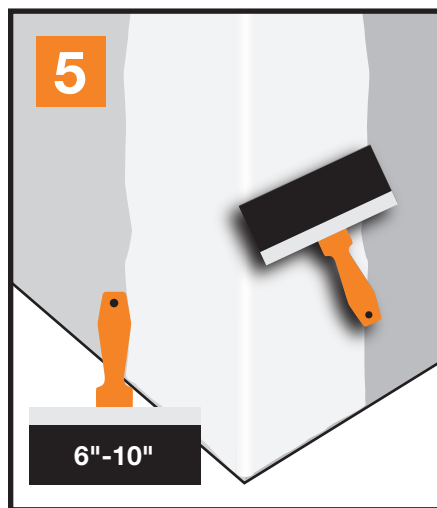
**First Mud**

Using a 4"- 6" drywall knife, apply a generous coat of drywall joint compound to each side. Feather the compound 4" - 5" from the corner. Allow to dry.



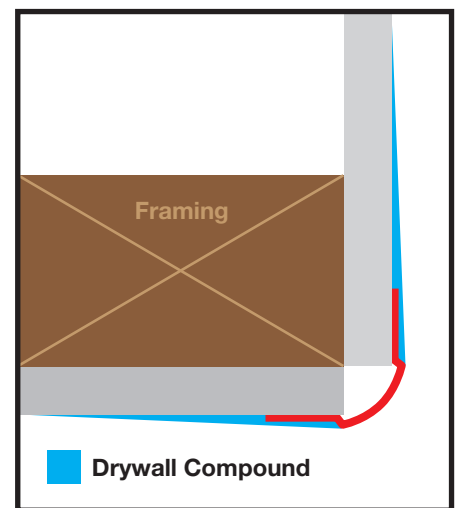
**Second Mud**

Using a 6"- 10" drywall tapping knife, apply a thinner coat of drywall joint compound to each side. Feather the compound 8" - 10" from the corner. Allow to dry.



**Skim Coat**

Apply a thinner third coat of drywall joint compound to each side, feathered 10" - 12". Allow to dry.

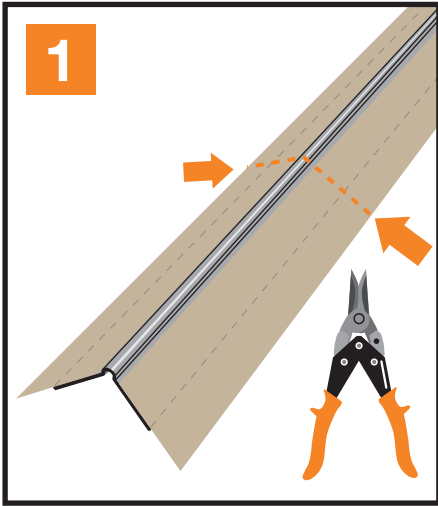


**Top View**

Drywall sheets are flush with the corner. The feathering of the drywall joint compound smoothly covers the nails & corner bead.

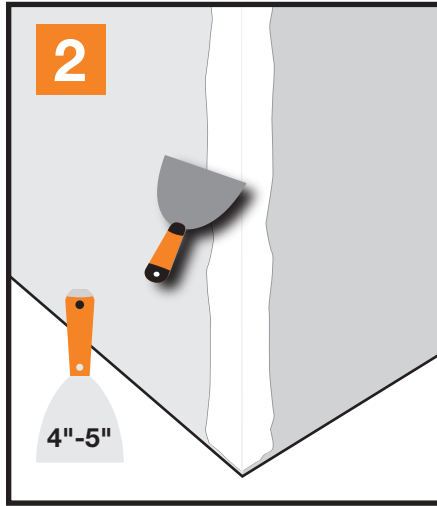
# INSTALLATION GUIDELINES

## PAPER-FACED OUTSIDE CORNER BEAD



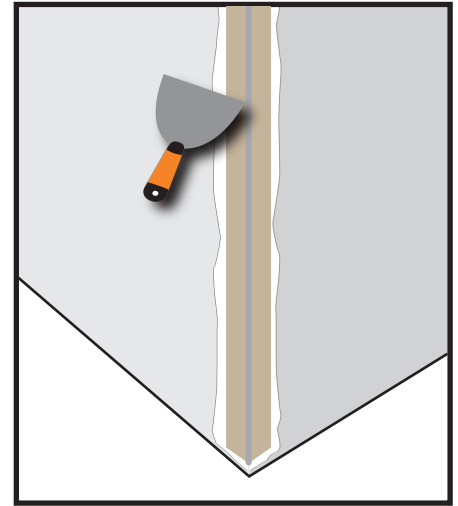
### Measure & Cut

Measure 1/2 inch shorter than the floor to ceiling distance. Make two cuts toward the centerline, using tin snips. Use one continuous length, do not splice.



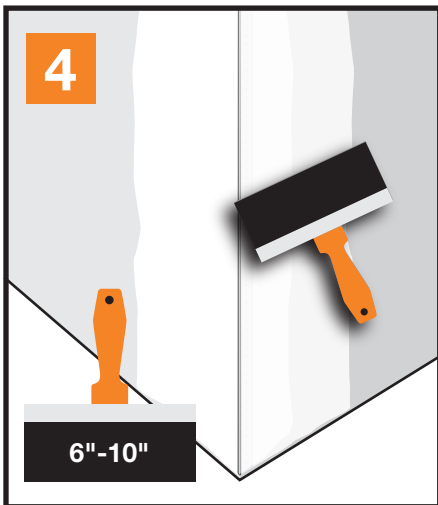
### Apply Mud

Thin Joint Compound with water. Apply a generous, uniform layer 2" on both sides.



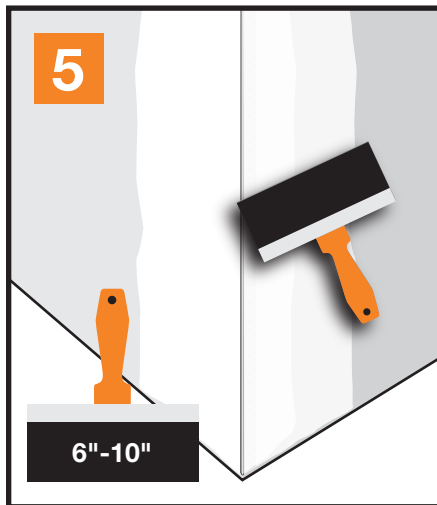
### Set the bead

Using light, even pressure set the bead centered on the corner and tight to the ceiling. Smooth out any bubbles with a drywall knife.



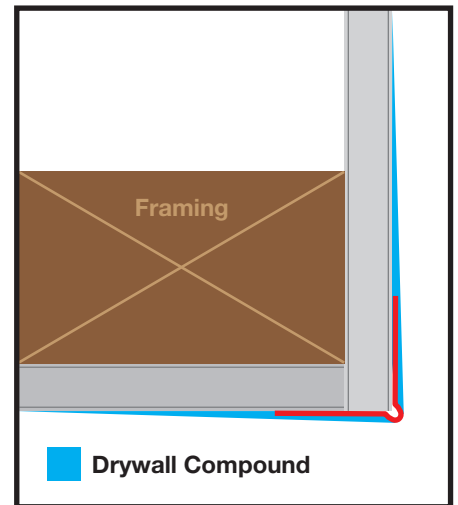
### Top Coat Mud

Using a 6" - 10" drywall tapping knife, apply a top coat of drywall joint compound to each side. Feather the compound 8" - 10" from the corner. Allow to dry.



### Skim Coat

Apply a thinner third coat of drywall joint compound to each side, feathered 10" - 12". Allow to dry.

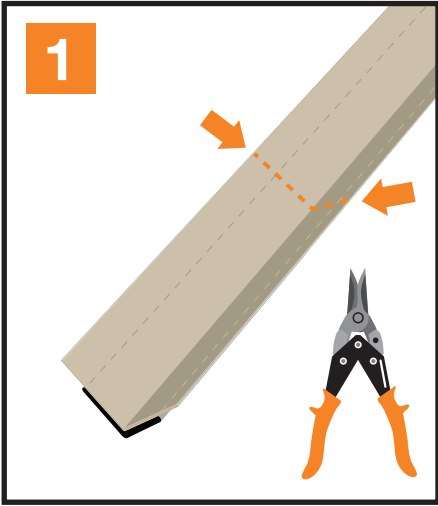


### Top View

Overlapping drywall sheets form the corner. The feathering of the drywall joint compound smoothly covers the nails & corner bead.

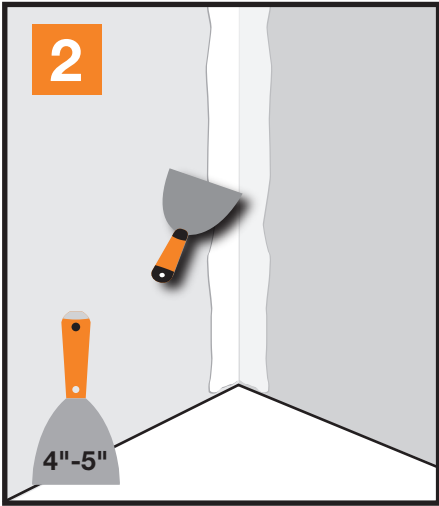
# INSTALLATION GUIDELINES

## PAPER-FACED INSIDE CORNER BEAD



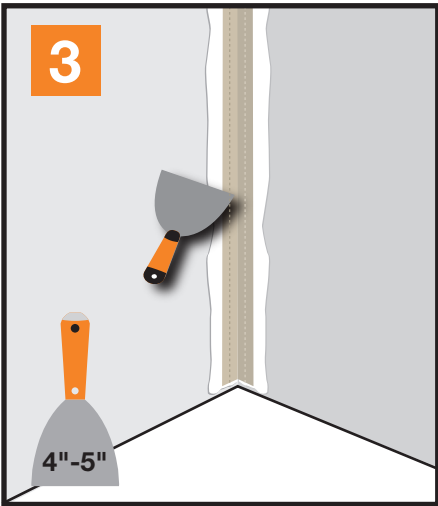
**1**

**Measure & Cut**  
 Measure 1/2 inch shorter than the floor to ceiling distance. Make two cuts toward the centerline, using tin snips. Use one continuous length, do not splice.



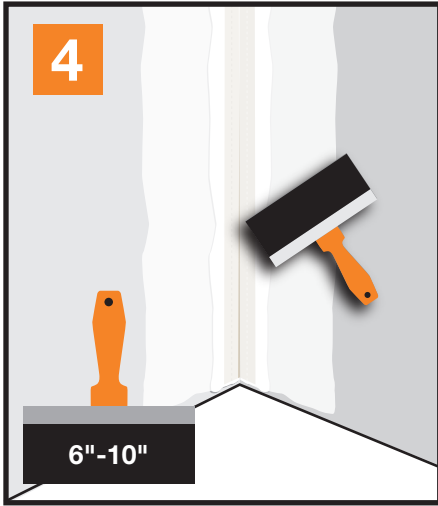
**2**

**Apply Mud**  
 Thin Joint Compound with water. Apply a generous, uniform layer 2" on both sides.



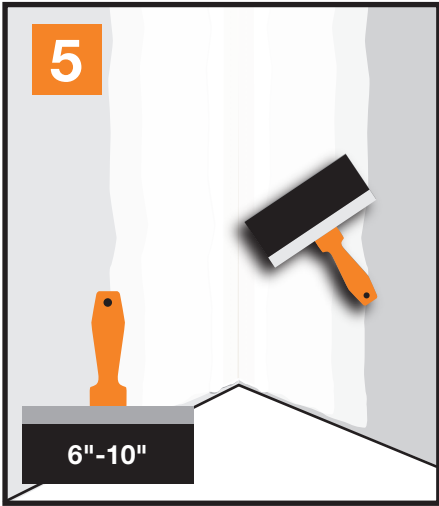
**3**

**Set the bead**  
 Using light, even pressure set the bead centered on the corner and tight to the ceiling. Smooth out any bubbles with a drywall knife.



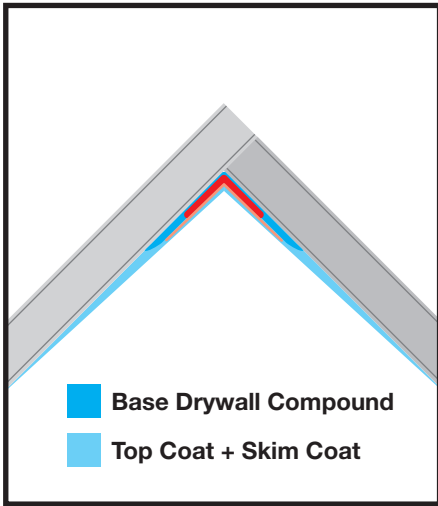
**4**

**Top Coat Mud**  
 Using a 6" - 10" drywall tapping knife, apply a top coat of drywall joint compound to each side. Feather the compound 8" - 10" from the corner. Allow to dry.

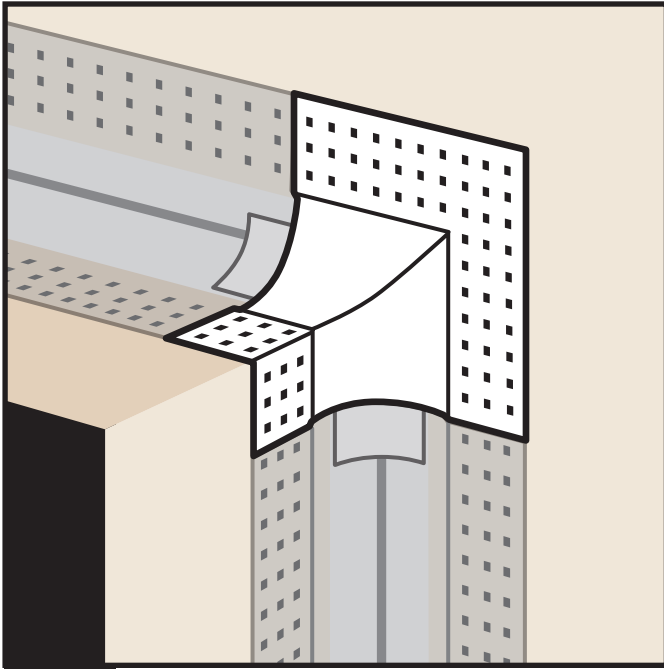


**5**

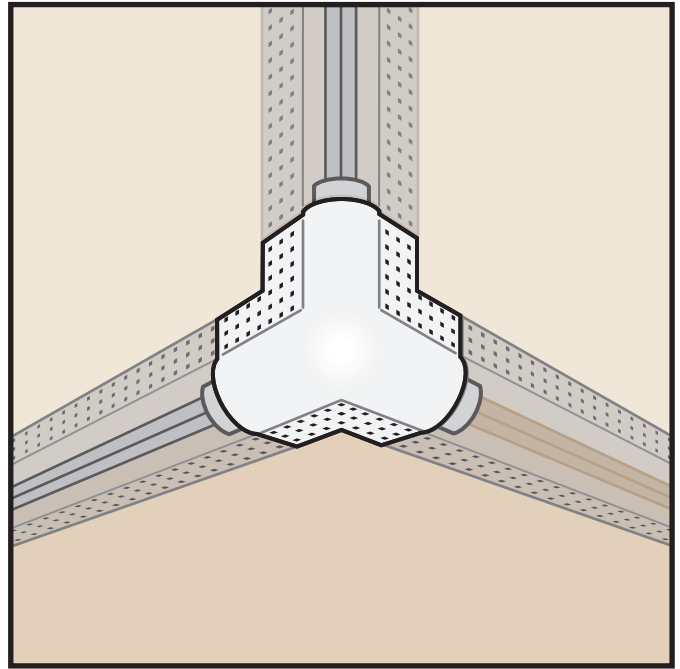
**Skim Coat**  
 Apply a thinner third coat of drywall joint compound to each side, feathered 10" - 12". Allow to dry.



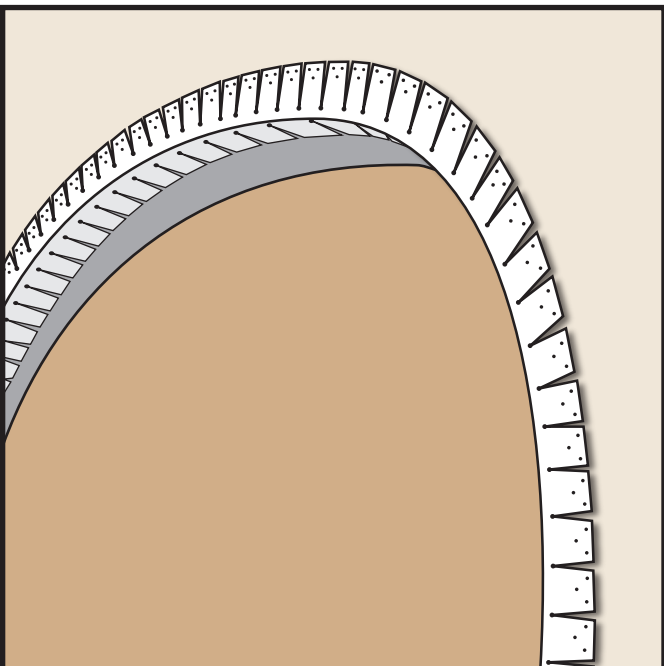
**Top View**  
 Overlapping drywall sheets form the corner. The feathering of the drywall joint compound smoothly covers the nails & corner bead.



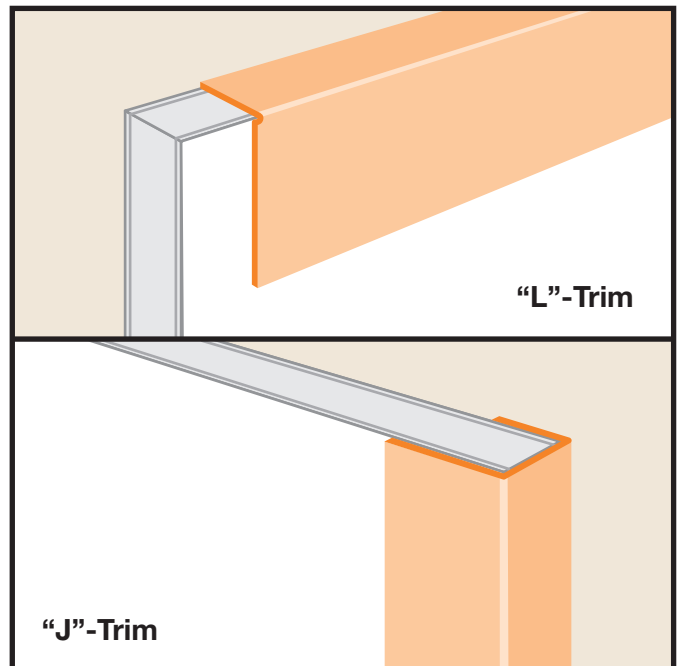
2-Way Bullnose Corners efficiently mitre inside corners such as door and window frames.



3-Way Bullnose Corners join drywall where three panels intersect.



Archway Cornerbead is slotted (kerfed) to fit smoothly around a curved surface.



"L" Trim is used where drywall abuts suspended ceilings, beams, plaster, masonry and concrete walls.

"J" Trim is used to finish rough drywall panel ends at window and door openings.